

WWW.HILLTOPTENTS.CO.UK

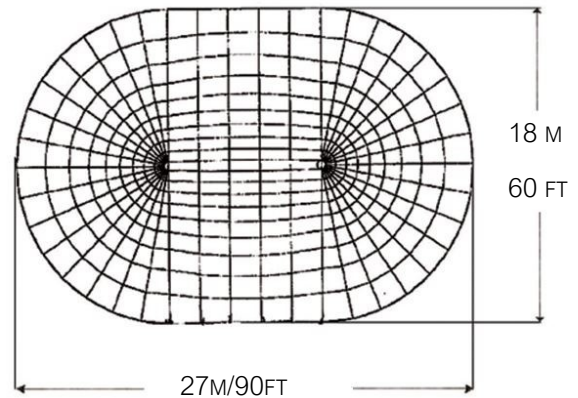
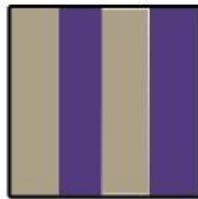
TENT SPECIFICATION



SIZE	18 x 27M /60 x 90FT
HEIGHT	8M/26FT
SIDEWALL HEIGHT	3M/10FT
AREA SQM	430
AREA SQ FT	4628
STANDING CAPACITY	862
SEATING CAPACITY	275
SPACE REQUIRED	84FT X 114FT

COLOURS AVAILABLE

PURPLE AND SILVER



YELLOW AND BLACK



ADD: FRONGOCH BOATYARD, ABERDYFI, GWYNEDD, LL350RG

TEL: 01654767842 EMAIL: HILLTOPTENTS2016@GMAIL.COM